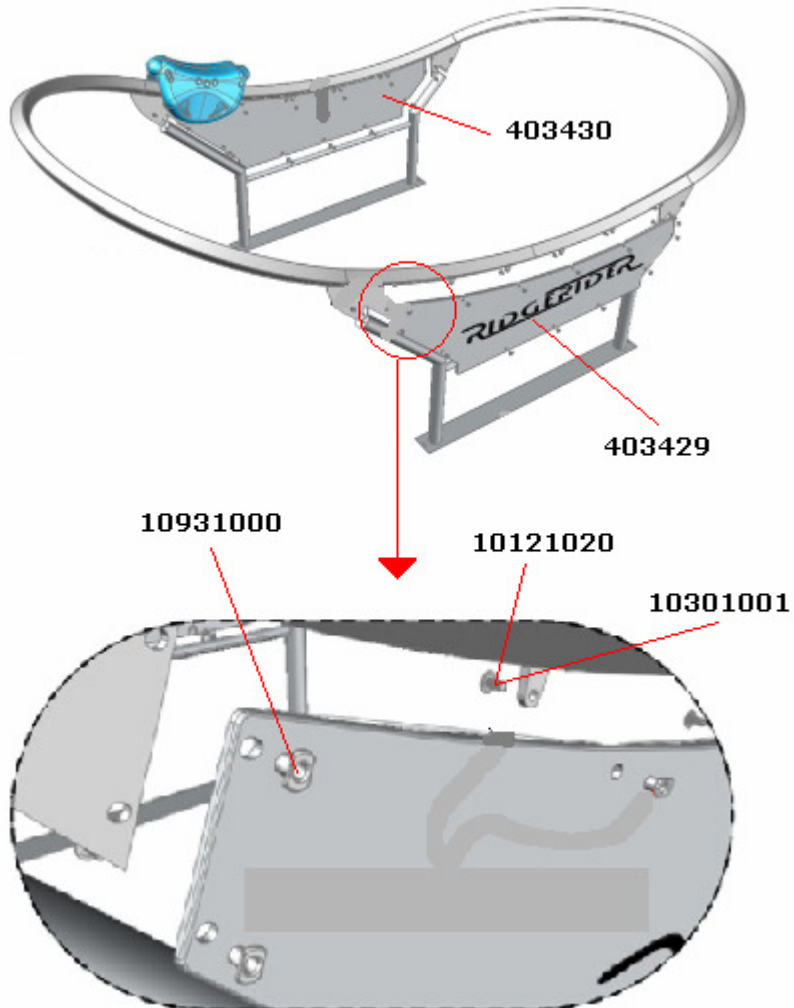


SPARES PRICES 2010

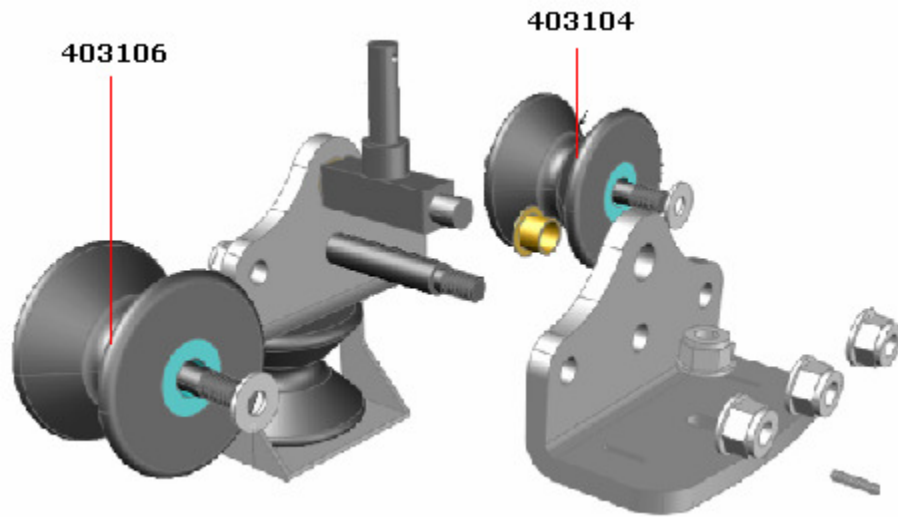


RP099 RIDGERIDER

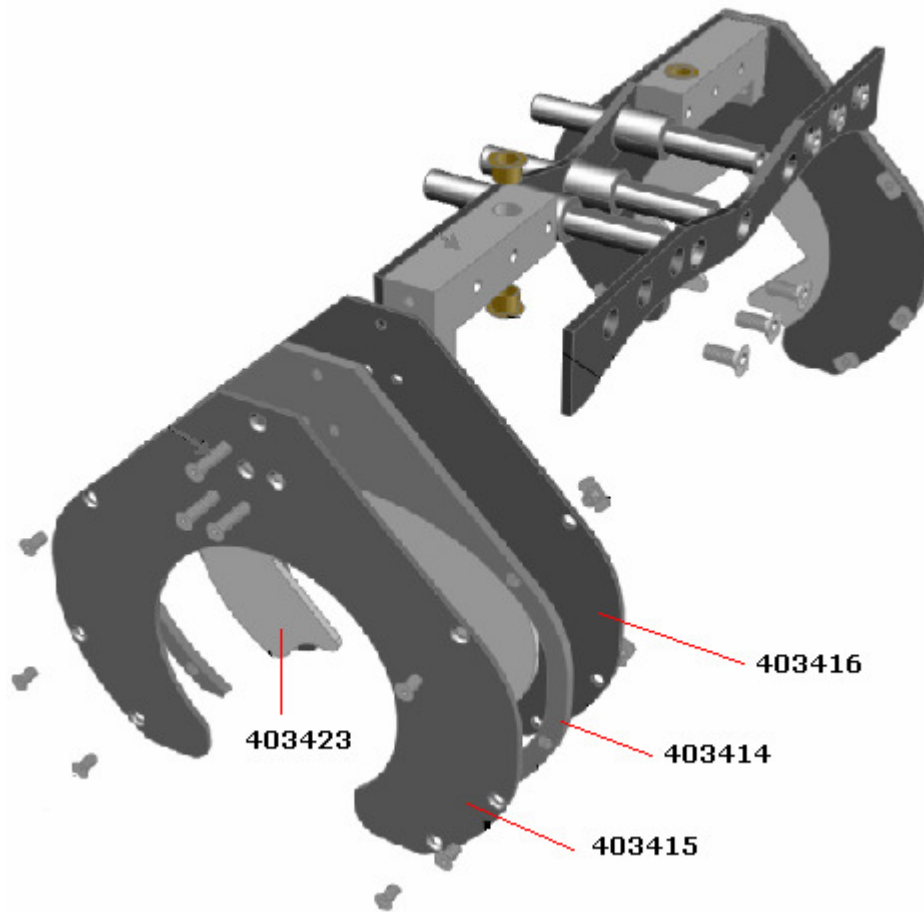


TRACK ASSEMBLY

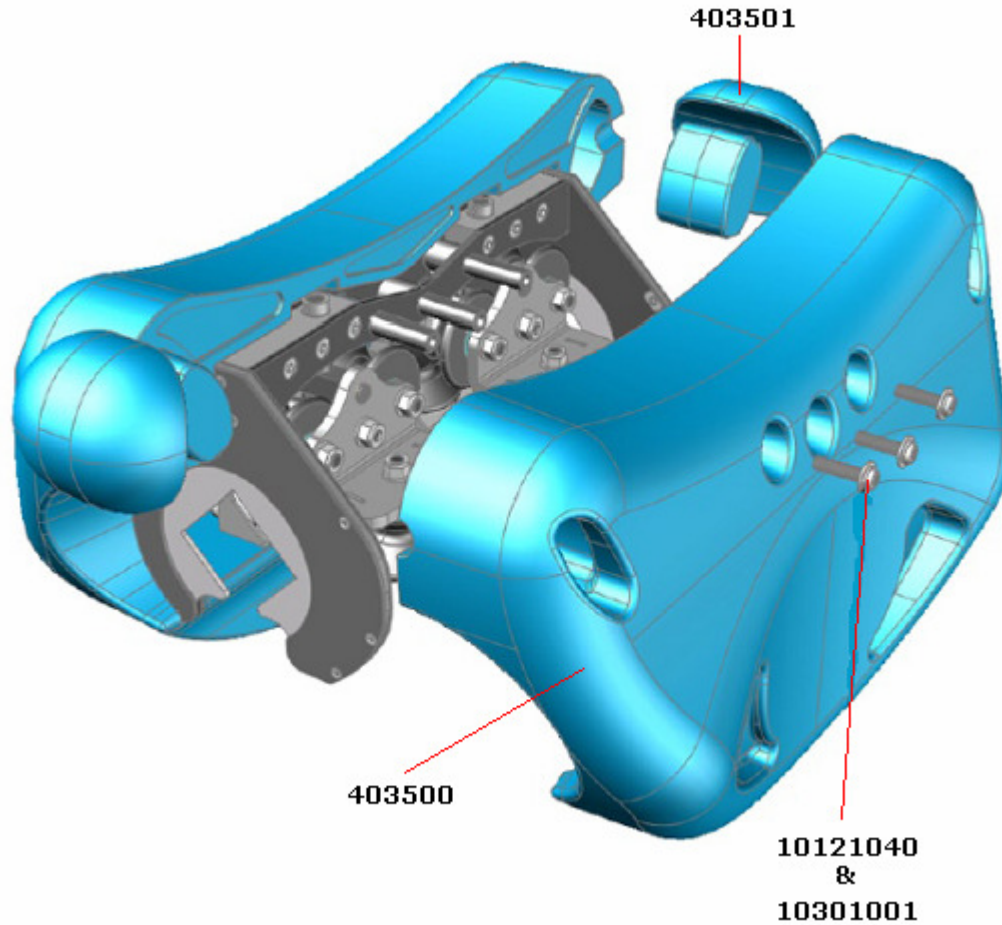
STOCK CODE	DESCRIPTION	QUANTITY	SELLING PRICE
403430	Right Hand HDPE Panel	1	£330.40
10931000	M10 Capped T Nut	13	
10121020	M10 x 20 Patched Resistorx	13	
10301001	M10 Nylon Washer	13	
403429	Left Hand HDPE Panel	1	£330.40
10931000	M10 Capped T Nut	13	
10121020	M10 x 20 Patched Resistorx	13	
10301001	M10 Nylon Washer	13	

BOGEY ASSEMBLY

STOCK CODE	DESCRIPTION	QUANTITY	SELLING PRICE
403104	Bogey Top Wheel Assembly	2	£67.20 each
403106	Bogey Friction Wheel Assembly	2	£84.50 each

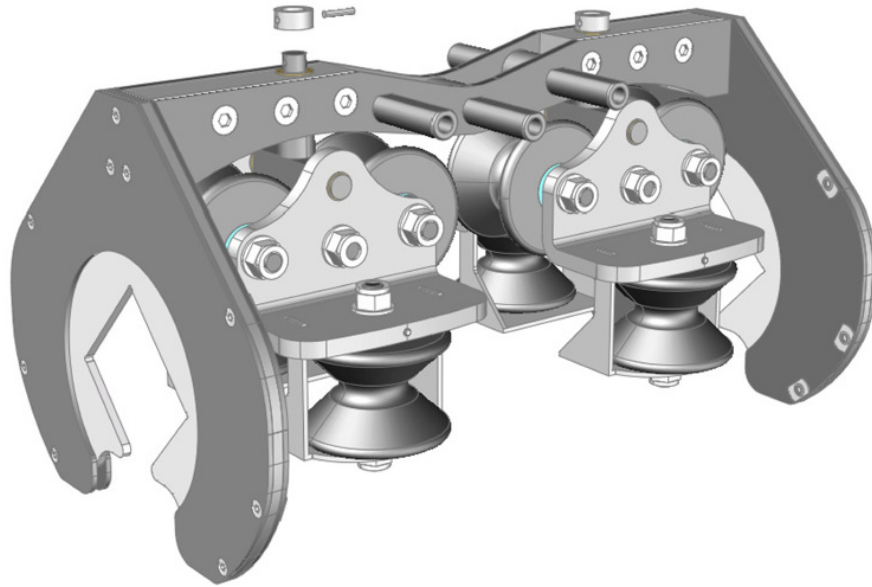
STRONGBACK ASSEMBLY

STOCK CODE	DESCRIPTION	QUANTITY	SELLING PRICE
403416	Guard Back Plate	2	£16.90 each
403414	Guard Spacer	2	£22.40 each
403415	Guard Front Plate	2	£30.70 each
403423	Floating Guard	2	£27.00 each

SEAT AND BUFFER ASSEMBLY

STOCK CODE	DESCRIPTION	QUANTITY	SELLING PRICE
403103	Seat Assembly	1	£200.00
	- 403501 Seat Buffer Moulding	2	
	- 403500 Moulding	2	
10121040	M10 x 40 Patched Resistorx	6	£0.60 each
10301001	M10 Nylon Washer	6	£0.20 each

Please note: New seat assembly has 2 interlocking half's with no buffers.

FULL CARRIAGE & SEAT ASSEMBLY (BOGEY)

STOCK CODE	DESCRIPTION	QUANTITY	SELLING PRICE
403105	Chassis 'T'	2	£1250.00
403420	Tie Spindle	2	
403102	Cheek	4	
403104	Top Wheel Assembly	4	
403106	Friction Wheel Assembly	4	
403421	Friction Wheel Guard	4	
JFM-1416-12	Bearing	8	
-	M12 Lock Nut	20	
-	M12 Washer	36	
-	M4 x 25 Grub Screw	4	
403401	Chassis Upper Block	2	
403411	Strongback Plate	1	
403412	Strongback Plate c/w Flats	1	
403416	Guard Backing Plate	2	
403414	Guard Spacer	2	
403415	Guard Front Plate	2	
403423	Floating Guard	2	
-	M8 x 20 Countersunk Screw	12	
-	M6 x 25 Countersunk Screw	6	
-	M6 x 12 Countersunk Screw	12	
JNC039	M6 Stainless Steel T-Nut	12	
403413	Bogey Link Arm Pin	3	
403400	Chassis Collar with Selleck	2	
403103	Seat Assembly	1	
10121040	M10 x 40 Patched Resistorx	6	
10301001	M10 Nylon Washer	6	